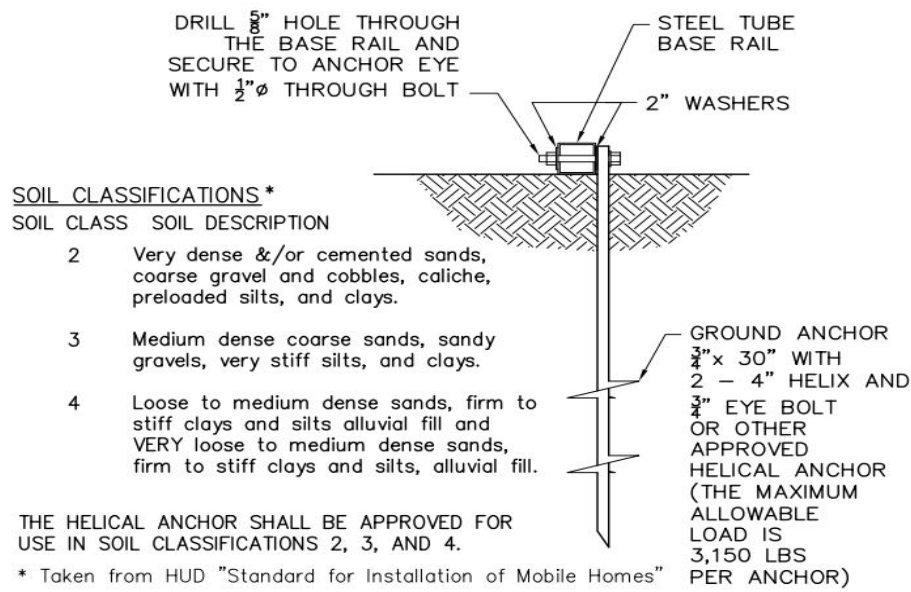


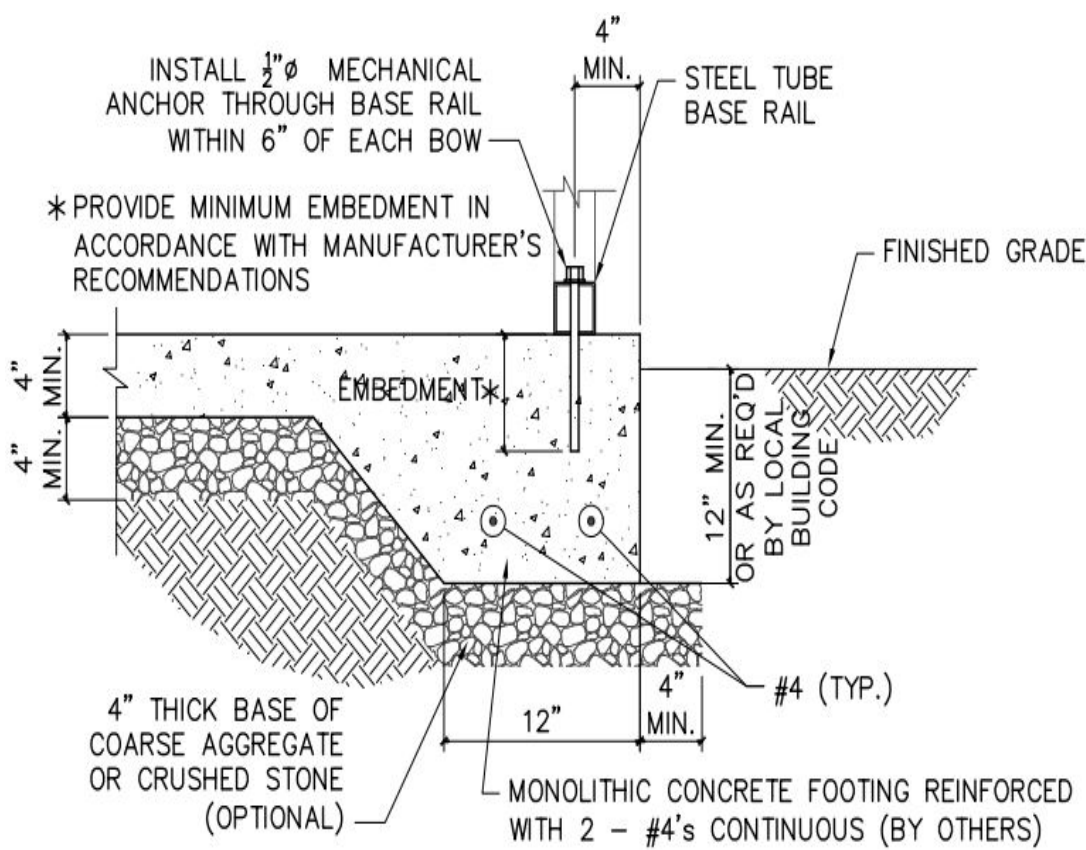
# FOUNDATION ANCHORAGE RECOMMENDATIONS

## Ground Foundation

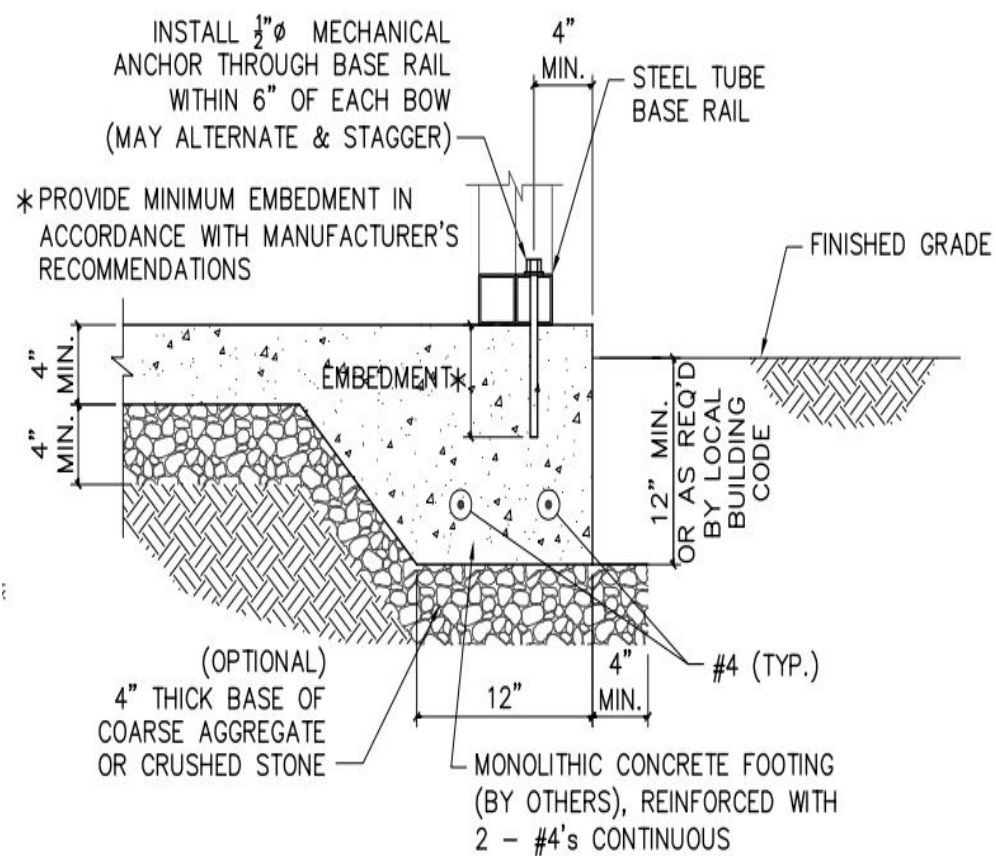


1 SOIL BASE RAIL ANCHOR DETAIL

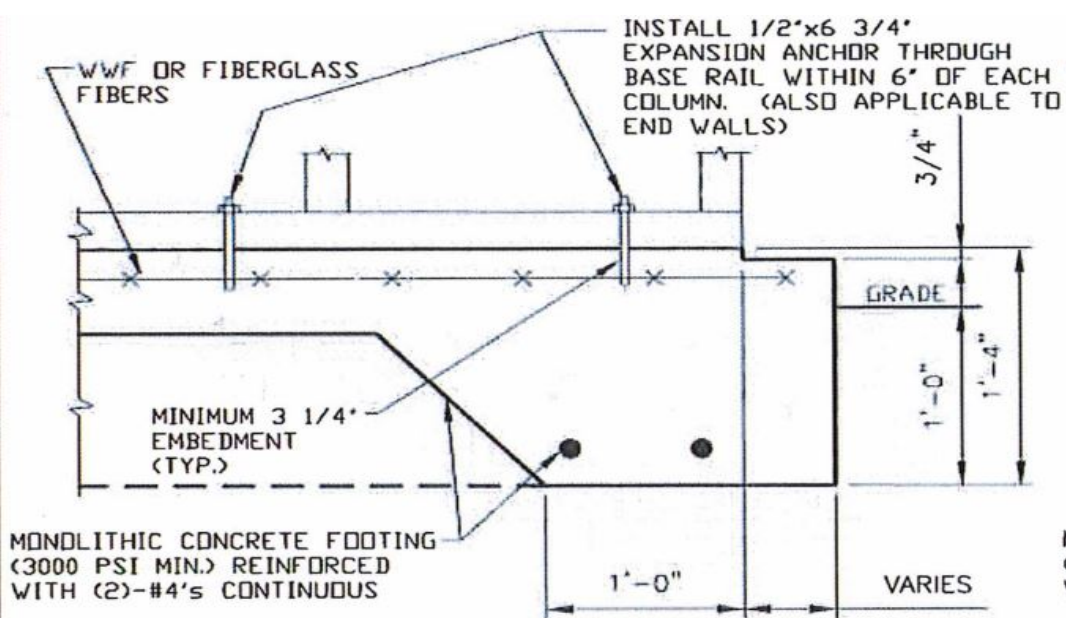
## Concrete Foundation



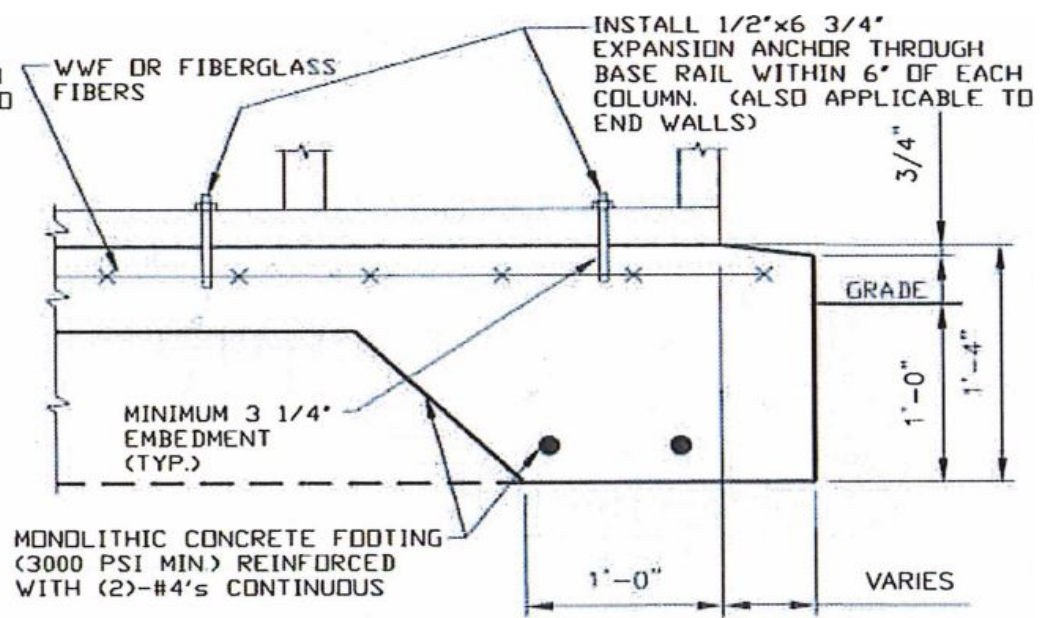
2 CONCRETE BASE RAIL ANCHORAGE (SINGLE LEG)



2 CONCRETE BASE RAIL ANCHORAGE (DOUBLE LEG)



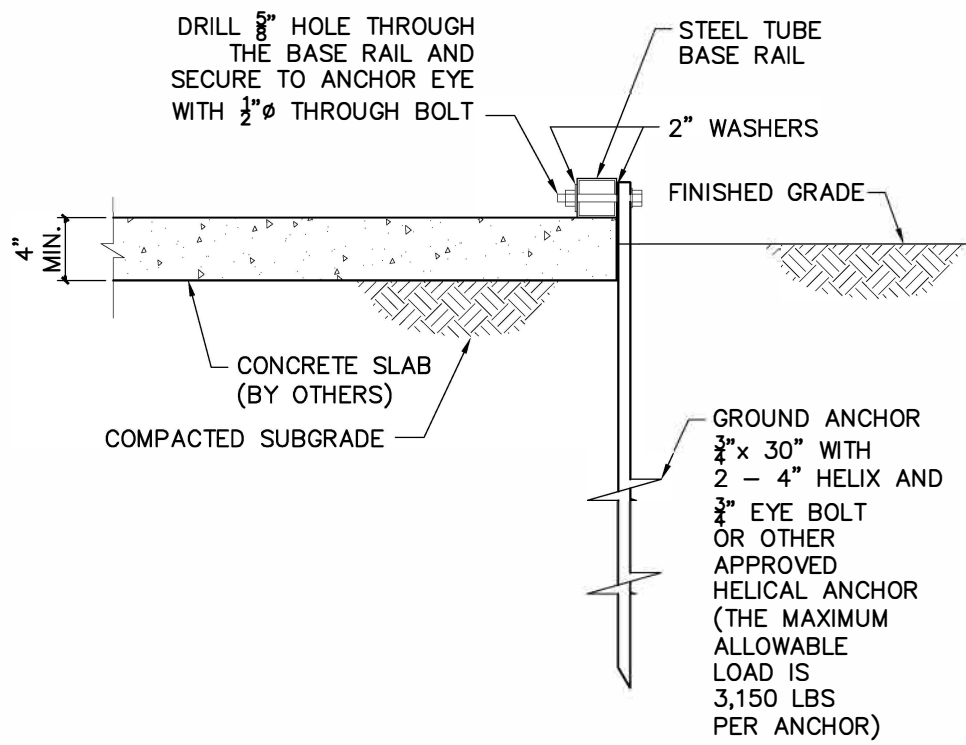
3A CONCRETE MONOLITHIC SLAB BASE RAIL ANCHORAGE  
SCALE: NTS  
(MINIMUM ANCHOR EDGE DISTANCE IS 4")



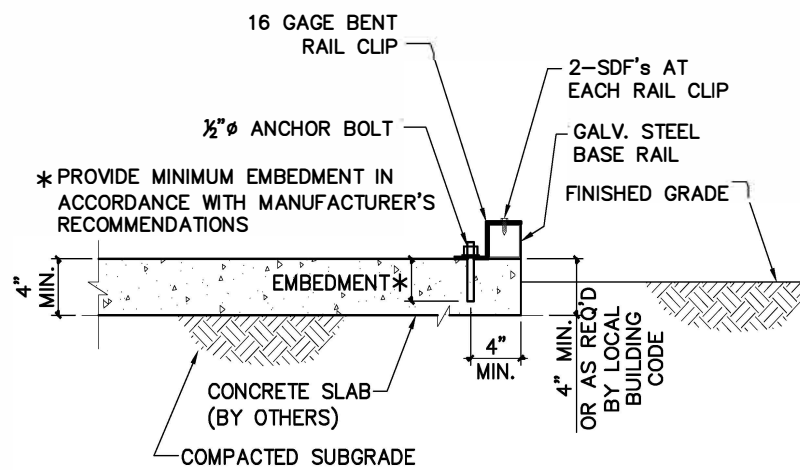
3B CONCRETE SLAB BASE RAIL ANCHORAGE  
SCALE: NTS  
(MINIMUM ANCHOR EDGE DISTANCE IS 4")

These images show the suggested ground and concrete base rail anchoring as proposed by our engineered plans. Please be aware, as is noted on the plans, that the customer must confirm with their local municipality exactly what is required by their local building code. For example, these plans show a minimum of 4" anchor edge distance as well as 12" footer minimum but some municipalities may require more depending on the structure. The lower two images show concrete foundation options with a step down or slope at the concrete edge.

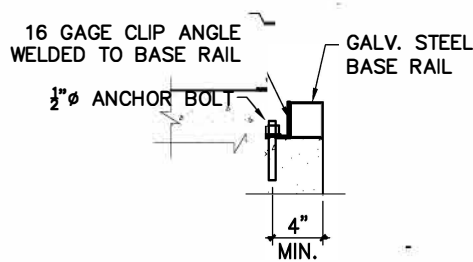
# ALTERNATE ANCHORAGE OPTIONS



2  
3 ALTERNATE BASE RAIL ANCHORAGE



2 ALTERNATE BASE RAIL ANCHORAGE



ALTERNATE BASE RAIL CLIP

These alternate base rail anchorage options are only to be used when a customer has an existing pad or has poured their pad incorrectly. Additional charges do apply for the additional materials needed to anchor the units in this manner. Furthermore, it is dependent upon the inspector of the municipality in which the customer lives as to whether this is acceptable to them so it is highly advised that the customer pour their concrete pad according to the correct specifications as required by their municipality in order to avoid any issues.